

Environmentally friendly  
Ergonomic  
Efficient  
Elegant  
Elaborative  
Expansibility  
Easy Maintenance



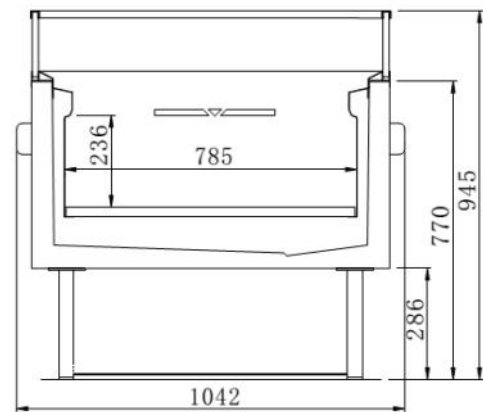
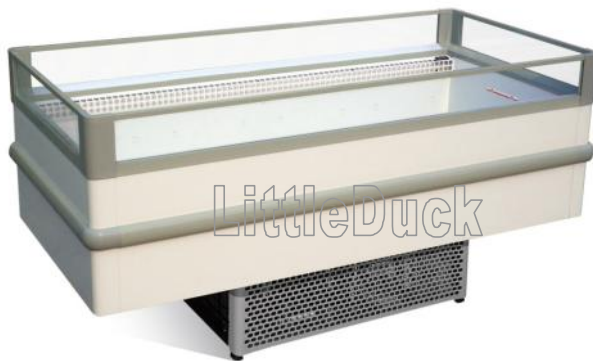
LittleDuck  
E7 SERIES REFRIGERATION SHOWCASE

# Self-contained Commercial Chest Freezer

**New Calgary**  
**Open/Sliding Glass Cover**

Width 1042mm  
Length 1580mm, 2080mm, 2580mm  
Running Temperature: -18 to -22°C  
Model Type: plug-in, with compressor





ISO9001 ISO14001 CE

**Standard Options:**

- Length Option: 1580mm, 2080mm & 2580mm
- Width: 1042mm
- Height: 945mm
- Cover: open type, without cover
- Optional inner divider: painted wire
- Type: self-contained/plug-in
- Defrost: automatic
- Controller: CAREL Brand
- Compressor: ASPERA Brand
- Refrigerant: R404a
- Color: white or grey

**Application:**

It is used to display and sell all kinds of frozen foods, ice cream, the marine products and so on, at running temperature -18 to -22°C.

**Features and Benefits:**

1. The advanced asymmetrical laminar air curtain is used so that this can efficiently reduce the exchange of heating and humidity of the interior and the external cabinet.
2. The body of the unit is constructed through a integral foaming process utilizing polyurethane, decrease the consumption and save energy.
3. The thin and large area efficient evaporator can decrease the temperature soon, so the efficient area is large.
4. The self-evaporating water plate is used so that convenient and simple.

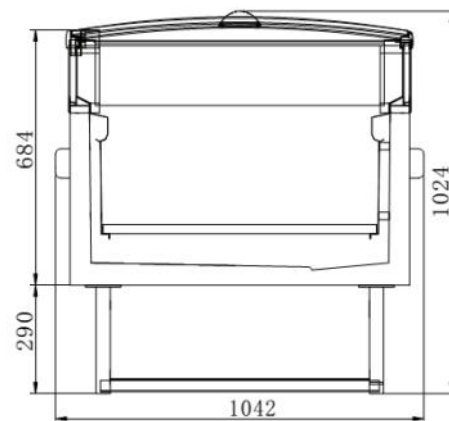
**Specifications:**

| Case Length | Model Number | Size, L/W/H, mm | Capacity, L | Display Area, m <sup>2</sup> | Cover              |
|-------------|--------------|-----------------|-------------|------------------------------|--------------------|
| 15 (1580mm) | DD-KJ-Z15-01 | 1580/1042/945   | 300         | 1.25                         | flat open/no cover |
| 20 (2080mm) | DD-KJ-Z20-01 | 2080/1042/945   | 410         | 1.72                         | flat open/no cover |
| 25 (2580mm) | DD-KJ-Z25-01 | 2580/1042/945   | 530         | 2.19                         | flat open/no cover |

| Case Length | Model Number | Running Temp. °C | Defrost Mode      | Refrigerant Gas | Refrigerant Filling, kg | Evaporation Temp. °C | Condensing Temp. °C |
|-------------|--------------|------------------|-------------------|-----------------|-------------------------|----------------------|---------------------|
| 15 (1580mm) | DD-KJ-Z15-01 | -18 to -21       | Electrical heater | R404a           | 0.90                    | -35                  | 45                  |
| 20 (2080mm) | DD-KJ-Z20-01 | -18 to -21       | Electrical heater | R404a           | 1.00                    | -35                  | 45                  |
| 25 (2580mm) | DD-KJ-Z25-01 | -18 to -21       | Electrical heater | R404a           | 1.40                    | -35                  | 45                  |

| Case Length | Model Number | Power Supply | Input Power, Watts | Fan Power, Watts | Defrost Heater, W | Anti-Sweat heater, W | Compressor Power, W | Rated Current, Amps |
|-------------|--------------|--------------|--------------------|------------------|-------------------|----------------------|---------------------|---------------------|
| 15 (1580mm) | DD-KJ-Z15-01 | 220V/50Hz    | 1798               | 53               | 1000              | 45                   | 700                 | 5.05                |
| 20 (2080mm) | DD-KJ-Z20-01 | 220V/50Hz    | 2281               | 106              | 1400              | 55                   | 720                 | 7.21                |
| 25 (2580mm) | DD-KJ-Z25-01 | 220V/50Hz    | 2853               | 106              | 1800              | 55                   | 892                 | 9.03                |





ISO9001 ISO14001 CE

**Standard Options:**

- Length Option: 1580mm, 2080mm & 2580mm
- Width: 1042mm
- Height: 1024mm
- **Cover: sliding glass cover, left-right moving**
- Optional inner divider: painted wire
- Type: self-contained/plug-in
- Defrost: automatic defrosting by electrical heater
- Controller: CAREL Brand
- Compressor: ASPERA Brand
- Refrigerant: R404a
- Color: white or grey

**Application:**

It is used to display and sell all kinds of frozen foods, ice cream, the marine products and so on, at running temperature -18 to -22°C.

**Features and Benefits:**

1. The advanced asymmetrical laminar air curtain is used so that this can efficiently reduce the exchange of heating and humidity of the interior and the external cabinet.
2. The body of the unit is constructed through a integral foaming process utilizing polyurethane, decrease the consumption and save energy.
3. The thin and large area efficient evaporator can decrease the temperature soon, so the efficient area is large.
4. The self-evaporating water plate is used so that convenient and simple.
5. Adopting sliding glass cover design, energy saving

**Specifications/with sliding glass cover:**

| Case Length | Model Number   | Size, L/W/H, mm | Capacity, L | Display Area, m <sup>2</sup> | Cover               |
|-------------|----------------|-----------------|-------------|------------------------------|---------------------|
| 15 (1580mm) | DD-KJ-Z15-Z-01 | 1580/1042/1024  | 300         | 1.22                         | sliding glass cover |
| 20 (2080mm) | DD-KJ-Z20-Z-01 | 2080/1042/1024  | 410         | 1.66                         | sliding glass cover |
| 25 (2580mm) | DD-KJ-Z25-Z-01 | 2580/1042/1024  | 530         | 2.09                         | sliding glass cover |

| Case Length | Model Number   | Running Temp. °C | Defrost Mode      | Refrigerant Gas | Refrigerant Filling, kg | Evaporation Temp. °C | Condensing Temp. °C |
|-------------|----------------|------------------|-------------------|-----------------|-------------------------|----------------------|---------------------|
| 15 (1580mm) | DD-KJ-Z15-Z-01 | -18 to -22       | Electrical heater | R404a           | 0.90                    | -35                  | 45                  |
| 20 (2080mm) | DD-KJ-Z20-Z-01 | -18 to -22       | Electrical heater | R404a           | 1.00                    | -35                  | 45                  |
| 25 (2580mm) | DD-KJ-Z25-Z-01 | -18 to -22       | Electrical heater | R404a           | 1.40                    | -35                  | 45                  |

| Case Length | Model Number   | Power Supply | Input Power, W | Fan Power, W | Defrost Heater, W | Anti-Sweat heater, W | Compressor Power, W | Rated Current, Amps |
|-------------|----------------|--------------|----------------|--------------|-------------------|----------------------|---------------------|---------------------|
| 15 (1580mm) | DD-KJ-Z15-Z-01 | 220V/50Hz    | 1798           | 53           | 1000              | 45                   | 700                 | 5.05                |
| 20 (2080mm) | DD-KJ-Z20-Z-01 | 220V/50Hz    | 2281           | 106          | 1400              | 55                   | 720                 | 7.21                |
| 25 (2580mm) | DD-KJ-Z25-Z-01 | 220V/50Hz    | 2853           | 106          | 1800              | 55                   | 892                 | 9.03                |

