

AUTOMATIC FLATWORK FOLDER



ZD3000V

ZD3300V

- Max. Folding Width
3000mm/3300mm
- PLC Control
- Speed upto 50m/min
- Up to 5 Folds

RELIABILITY DURABILITY COST EFFECTIVE

INCREASE PRODUCTIVITY, LOWER LABOR COST

⚙ With the continuous increase of labor cost in China, Little Duck designed and produced this smart automatic folder providing ideal solution to your laundry business. Little Duck folder is able to fulfill the whole folding job, eliminating completely the worry of lacking skillful workforce. Being the first manufacturer of folder nationwide, Little Duck explored further better solution to this problem and produced the first machine connected to any ironer for continuous batch finishing, which delivers tremendous increase of productivity and significantly drop of labor cost.

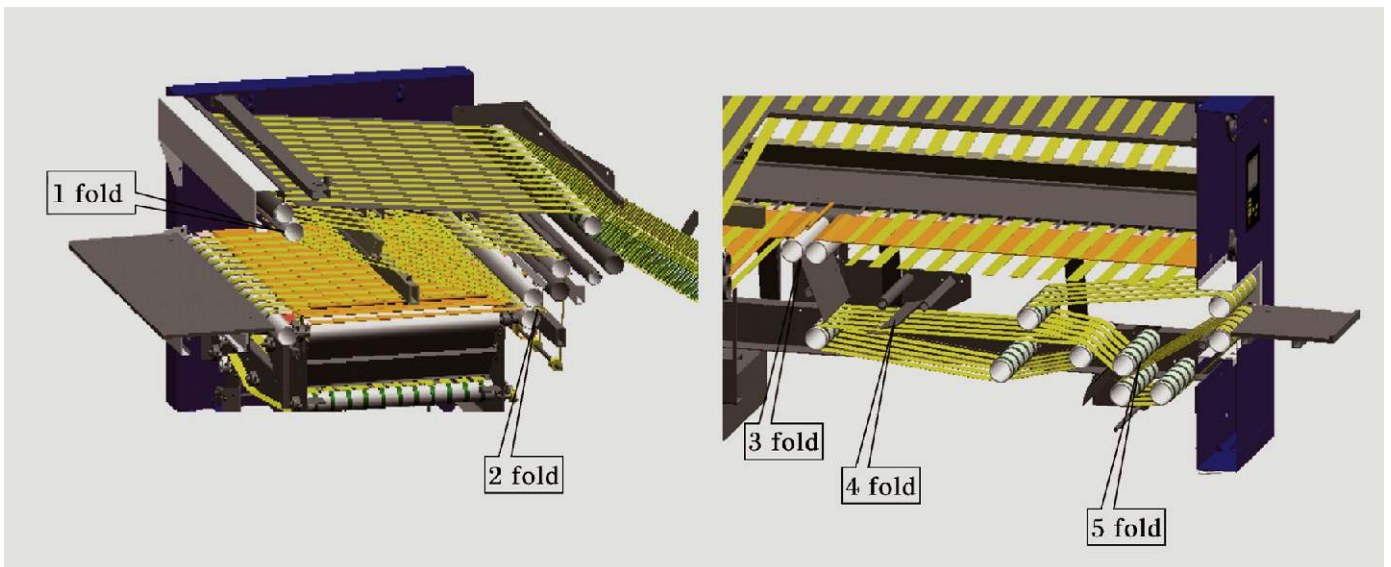
⚙ More efforts were put regarding your application of folder. When connected to the ironing machine, you can have the linen coming through the folder without folding directly if needed. Otherwise you can choose either 4 or 5 folds upon actual requirements. Little Duck folder can work very well for any kind of laundry service and is qualified to be your ideal partner for your career.



XYLECATALOGUE2014-0516

SMART DESIGN WITH HIGH INTELLIGENCE

- Little Duck presents high intelligent flatwork folder through the adoption of most advanced photocell and VFD (Variable Frequency Drive) technologies combined with micro-computer control system. The machine is designed to simulate human's folding action to finish all precise folding job with the help of pneumatic and photocell control. The machine is equipped with world class components for the most ensuring machine's stable and reliable running.
- Little Duck flatwork folder provides multi options of either 3, 4 or 5 folds. For 5 folds process, it includes 2 longitudinal folds and 3 cross folds. The max folding width is up to 3300mm and length up to 4000mm. Little Duck is one of the few manufacturers in China to produce precise folding machine. Please refer to the following for working principle of folder.



RELIABLE OPERATION WITH HIGH PRECISION

- Patented device for increasing the folding precision.
- Pneumatic blowing is used for the first 2 longitudinal folds and mechanical device for the 3 cross folds in order to cater to linens with different thickness.
- Large VFD display enables operation direct and simple, multi folding programs are available for different requirements.
- Heavy duty frame delivers stable and high efficiency running.
- Antistatic device is utilized for proper function of the machine especially in very dry environments or working with synthetic items.
- Self-diagnosis function helps to simplify failure verification and maintenance.
- Synchronous transmission ensures that the folder operates with low noise and stability and requires minimum maintenance.



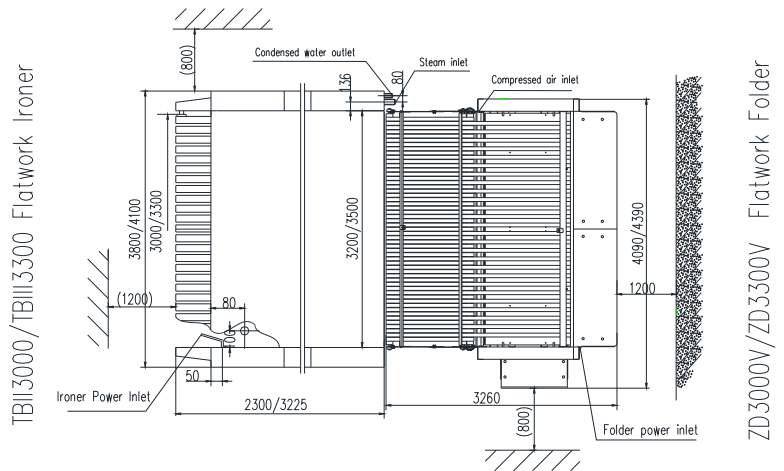
CAN BE CONNECTED TO IRONER WITH SYNCHRONOUS TRANSMISSION

- Little Duck flatwork folder can be connected to any ironer for continuous batch finishing, which delivers tremendous increase of productivity and significantly drop of labor cost. Because of the synchronous transmission is adopted to ensure operating with same speed between flatwork folder and ironer.



STANDARD FEATURES

- Easy to operate with computer control;
- Reliable and energy-saving running achievable by photoelectric and variable frequency control;
- Heavy duty frame ensuring extra long serving life;
- Up to 5 precise folds which is the max nationwide;
- Batch ironing and folding feasible through the connection with ironer;
- Max folding width up to 3300mm;
- Either 4 or 5 folds optional.



WARRANTY

LittleDuck provides 12 months warranty for the automatic flatwork folders, starting from custom declaration date on China Port.

Specification for Flatwork Folder

Model No.	Unit	ZD3000V	ZD3300V
Capacity			
Qty. of Folds	folds	5	5
Qty.of Folding layer	layers	2 ⁵ (32)	2 ⁵ (32)
Max. folding width	mm	3000	3300
Range of Folding Length	mm	1000~3000	1000~3600
Working Speed Range	m/min	≤50	≤50
Working Capacity (for bedsheet)	pcs/h	480	480
POWER			
AC Voltage	V	380/415V	380/415V
Line Frequency	Hz	50	50
Phase	P	3	3
Motor Power	kw	1.55	1.55
COMPRESSED AIR			
Compressed Air pressure	Mpa	0.5~0.7	0.5~0.7
	Psi	72.5~101.5	72.5~101.5
Compressed Air Inlet	mm	Φ10	Φ10
Compressed Air Consumption	L/h	400	400
DIMENSION			
Width	mm	4090	4390
Depth	mm	3260	3260
Height	mm	1600	1600
Net Weight	Kg	1400	1500

All specifications subject to change without notice.