

Environmentally friendly  
Ergonomic  
Efficient  
Elegant  
Elaborative  
Expansibility  
Easy Maintenance

E7

LittleDuck

E7 SERIES REFRIGERATION SHOWCASE

# Double Side Narrow Island Freezer

**E7 Indiana**  
Night Curtain or Glass Cover

Width 1530mm  
Length 1875mm, 2500mm, 3750mm  
Top Shelf Option: 1 tier, 2 tier  
Optional: LED lighting, Energy-saving Fan



Night Curtain Model



Sliding Glass Cover Model



CE ISO9001 ISO14001

**Standard Options:**

- Narrow width: 1530mm
- Length Option: 1875mm, 2500mm & 3750mm, can be jointed together according to user's needs.
- End case depth 1100mm
- Cover Option: night curtain or sliding glass cover
- Top shelf option: adding 1 tier and 2 tier
- Shelf light option: adding 1 tier or 2tier at T8 fluorescent.
- Optional Inner divider, painted wire
- End panel option: PU-glass end panel, PU end panel.
- Available plastic price-tag
- Defrost: electrical heater
- Controller: CAREL brand, Easy series
- Expansion Valve: DANFOSS, balance mechanical thermal expansion valve.
- Fan motor: EBM, conventional energy efficiency
- Refrigerant: R404a
- Color: RAL standard

**Energy Saving Option:**

- LED light for top shelf
- High Efficiency Fans with CAREL multi-function controller
- Hot gas defrosting

**Intelligent Control Option:**

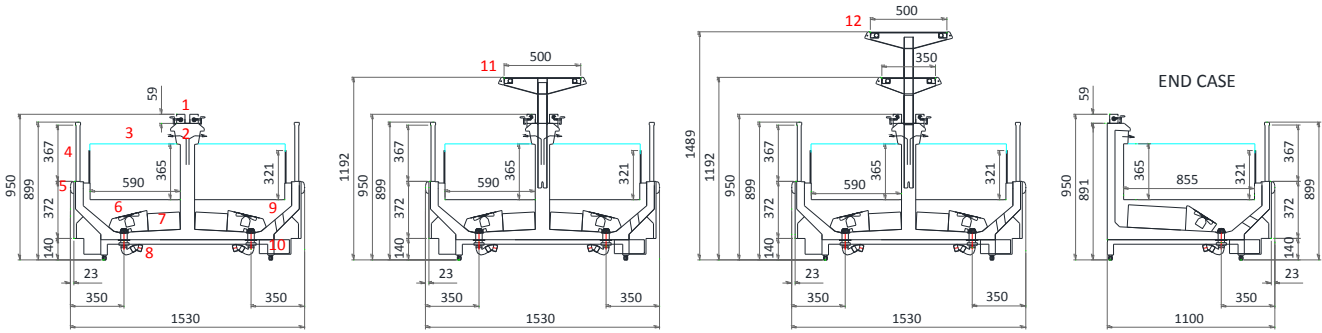
- CAREL MPX Controller with thermal expansion valve (TEV).
- CAREL MPX Controller with electronic expansion valve (EEV).

**Application:**

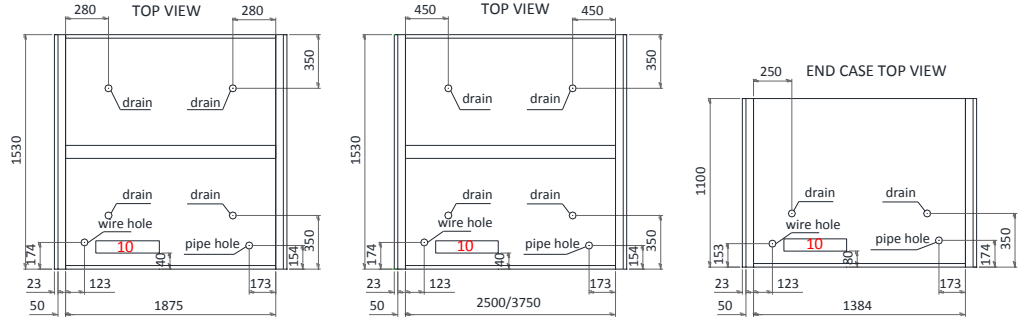
It is used to display and sell all kinds of frozen foods, ice cream, the marine products and so on, when the temperature is -18 to -21°C .

**Features and Benefits:**

1. The asymmetry structure of vortex cooling air curtain is used, the refrigeration effect is uniform, so that solve the problem of frosting blockage.
2. The high efficiency evaporator and the balance mechanical thermal expansion valve are used, so that cut down the time of defrosting, reduce the energy consumption.
3. The rust protection and preservative treatment is conducted for all steel components.
4. The aluminum alloy is treated by frost and oxidation.
5. The electrostatic spraying is used for appearance of some parts.
6. The sliding glass cover and night curtain is optional, so that save energy and guarantee the health of food.
7. The top shelf can be chose, so that the goods is delayed in parallel, optimize the supermarket environment, to speed up the purchase of goods.
8. The running condition of goods can be monitored by computer in real time when using intelligent control.
9. Adopted easy disassemble design for the bottom plates, back plates, cover plate of fan.
10. Optional Hot Gas Defrosting mode for energy saving.
11. Designed filter for drainage inlet to prevent blockages of drain system.
12. Surface color can be made in line with RAL Standard.



1. Night Curtain
2. Air Curtain
3. Load Limit
4. Glass
5. Bumper
6. Fan
7. Coil
8. Drain
9. Pipe Hole
10. Electrical Box
11. Optional 1 Tier Shelf with Light
12. Optional 2 Tier Shelf with Light

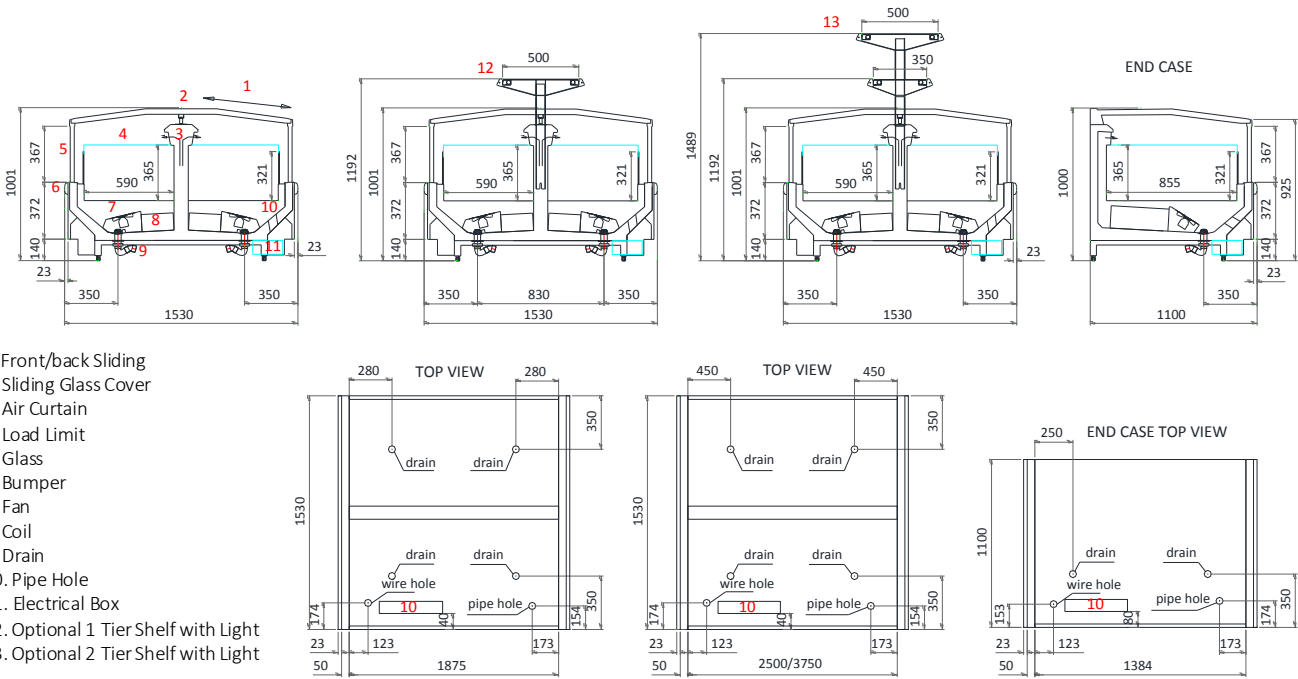


	Case Length	Cover Option	Model Number	Dimension, mm	Display Area, m <sup>2</sup>	Capacity, d m <sup>3</sup>
<b>CAPACITY</b>	18 (1875mm)	Night Curtain	DD-E7YD-F183Y-01	1875x1530x950	2.45	803
	25 (2500mm)	Night Curtain	DD-E7YD-F253Y-01	2500x1530x950	3.64	1,070
	37 (3750mm)	Night Curtain	DD-E7YD-F373Y-01	3750x1530x950	5.39	1,605
	End Case (1100mm)	Night Curtain	DD-E7YF-F143Y-01	1530x1100x950	1.33	427

<b>ELECTRICAL DATA</b>	Case Length	Optional 1 Tier Lighting Data @ 220V				Fan Data @ 220V				Electrical Heater					
		Lamps Qty.	Fluorescent T8 Lighting		LED Lighting		Fans Qty.	Standard Fans		High Efficiency Fans		Frame Anti-Sweat @ 220V		Defrosting @380V	
			Amps	Watts	Amps	Watts		Amps	Watts	Amps	Watts	Amps	Watts	Amps	Watts
	18 (1875mm)	4	0.33	72	0.22	48	4	0.53	116	0.09	20	2.37	521.4	15.00	3,300
	25 (2500mm)	4	0.55	120	0.27	60	4	0.53	116	0.09	20	2.82	621.4	18.18	4,000
	37 (3750mm)	6	0.82	180	0.41	90	6	0.79	174	0.14	30	3.96	870.2	27.27	6,000
	End Case	NA	NA	NA	NA	NA	1	0.13	29	0.02	5	1.30	286.5	7.09	1,560

<b>REFRIGERATION DATA</b>	Case Length	Cover Option	Application at T=25 °C , RH=60%)	Refrigerant Gas	Required Cooling Capacity, W	Saturated suction Temp. °C	Input Power, Watts	Rated Current, Amps	Power Consumption, Kwh/24h
	18 (1875mm)	Night Curtain	-18~-22°C	R404a	1,000	-35	3,937	18.17	22.10
	25 (2500mm)	Night Curtain	-18~-22°C	R404a	1,300	-35	4,737	21.81	25.90
	37 (3750mm)	Night Curtain	-18~-22°C	R404a	2,100	-35	7,044	32.43	37.30
	End Case (1100mm)	Night Curtain	-18~-22°C	R404a	600	-35	1,876	8.59	10.90





CAPACITY	Case Length	Cover Option	Model Number	Dimension, mm	Display Area, m <sup>2</sup>	Capacity, d m <sup>3</sup>
	18 (1875mm)	Glass Cover	DD-E7YD-F183Q-01	1875x1530x1001	2.42	803
	25 (2500mm)	Glass Cover	DD-E7YD-F253Q-01	2500x1530x1001	3.24	1,070
	37 (3750mm)	Glass Cover	DD-E7YD-F373Q-01	3750x1530x1001	4.83	1,605
	End Case (1100mm)	Glass Cover	DD-E7YF-F143Q-01	1530x1100x1000	1.11	427

ELECTRICAL DATA	Case Length	Optional 1 Tier Lighting Data @ 220V				Fan Data @ 220V				Electrical Heater					
		Lamps Qty.	Fluorescent T8 Lighting		LED Lighting		Fans Qty.	Standard Fans		High Efficiency Fans		Frame Anti-Sweat @220V		Defrosting @380V	
			Amps	Watts	Amps	Watts		Amps	Watts	Amps	Watts	Amps	Watts	Amps	Watts
		18 (1875mm)	4	0.33	72	0.22	48	4	0.53	116	0.09	20	2.37	521.4	15.00
25 (2500mm)	4	0.55	120	0.27	60	4	0.53	116	0.09	20	2.82	621.4	18.18	4,000	
37 (3750mm)	6	0.82	180	0.41	90	6	0.79	174	0.14	30	3.96	870.2	27.27	6,000	
End Case	NA	NA	NA	NA	NA	1	0.13	29	0.02	5	1.30	286.5	7.09	1,560	

REFRIGERATION DATA	Case Length	Cover Option	Application at T=25 °C, RH=60%	Refrigerant Gas	Required Cooling Capacity, W	Saturated suction Temp. °C	Input Power, Watts	Rated Current, Amps	Power Consumption, Kwh/24h
	18 (1875mm)	Sliding Glass Cover	-18~-22°C	R404a	850	-35	3,937	18.17	20.50
	25 (2500mm)	Sliding Glass Cover	-18~-22°C	R404a	1,105	-35	4,737	21.81	23.90
	37 (3750mm)	Sliding Glass Cover	-18~-22°C	R404a	1,785	-35	7,044	32.43	34.30
	End Case (1100mm)	Sliding Glass Cover	-18~-22°C	R404a	510	-35	1,876	8.59	10.20

