

Environmentally friendly

Ergonomic

Efficient

Elegant

Elaborative

Expansibility

Easy Maintenance



LittleDuck

E7 SERIES REFRIGERATION SHOWCASE

All View & Semi-tall Multi-Deck Case

E7 Orlando

Height 1300mm, 1600mm

Length 1250mm, 1875mm, 2500mm, 3750mm

Optional: LED lighting, Energy-saving Fan



LittleDuck



CE ISO9001 ISO14001

Standard Options:

- Length Option: 1250mm, 1875mm, 2500mm & 3750mm, can be jointed together according to user's needs.
- Height Option: 1300mm, 1600mm
- Low front Edge: up to 356mm
- End panel option: all view Arc glass end panel, PU end panel.
- Standard Shelf option: 2 rows and 1 bottom for height 1300mm, 3 rows and 1 bottom for height 1600mm.
- Available light options include: canopy, shelf at T8 fluorescent.
- Available night curtain
- Available plastic combo shelf-stop and price-tag
- Defrost: electrical heater
- Controller: CAREL brand, Easy series
- Expansion Valve: DANFOSS, balance mechanical thermal expansion valve.
- Fan motor: EBM, conventional energy efficiency
- Refrigerant: R404a

Energy Saving Option:

- LED light for canopy and shelf
- High Efficiency Fans with CAREL multi-function controller

Intelligent Control Option:

- CAREL MPX Controller with thermal expansion valve (TEV).
- CAREL MPX Controller with electronic expansion valve (EEV).

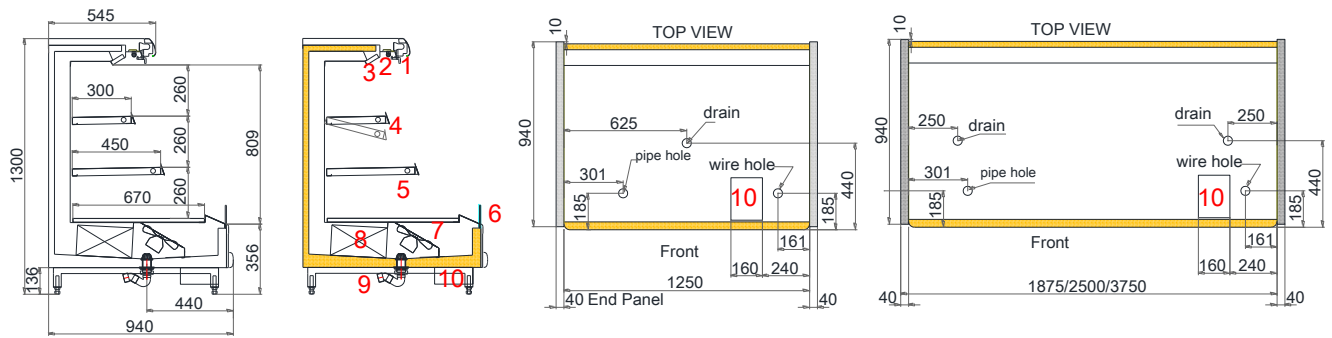
Application:

The different running temperature ranges can be set according to the different demands at -1°C to 10°C :

1. M1(-1~5°C) for fresh meat, sea food;
2. M2(-1~7°C) for daily products, such as beverage, milk products, sausages and cooked foods;
3. M3(1~10°C) for fruits and vegetables, etc.

Features and Benefits:

1. Adopting stepped shelf design, promote the commodity display area.
2. Low front edge design up to 356mm, improving display effect.
3. Angle adjustable shelf achieved satisfy the different display effect.
4. Using the waterfall air curtain design, multi-dimensional cooling air covered commodity to insure temperature uniformity.
5. Designed filter for drainage inlet to prevent blockages of drain system.
6. Optional All View Arc glass end panel can improve display area.
7. Adopted unique evaporator design to reduce frosting, and can use Hot Gas Defrost for energy saving.
8. The bottom shelves, back plates and fan cover plate adopt easy disassemble design, make the daily inspection and maintenance is more convenient.
9. CO₂ and glycol can be option for application of energy conservation and environmental protection.



- 1. Night Curtain 2. Canopy Light 3. Air Curtain 4. Angle adjustable 5. Shelf Light
- 6. Front Edge Glass 7. Fan 8. Coil 9. Drain 10. Electrical Box

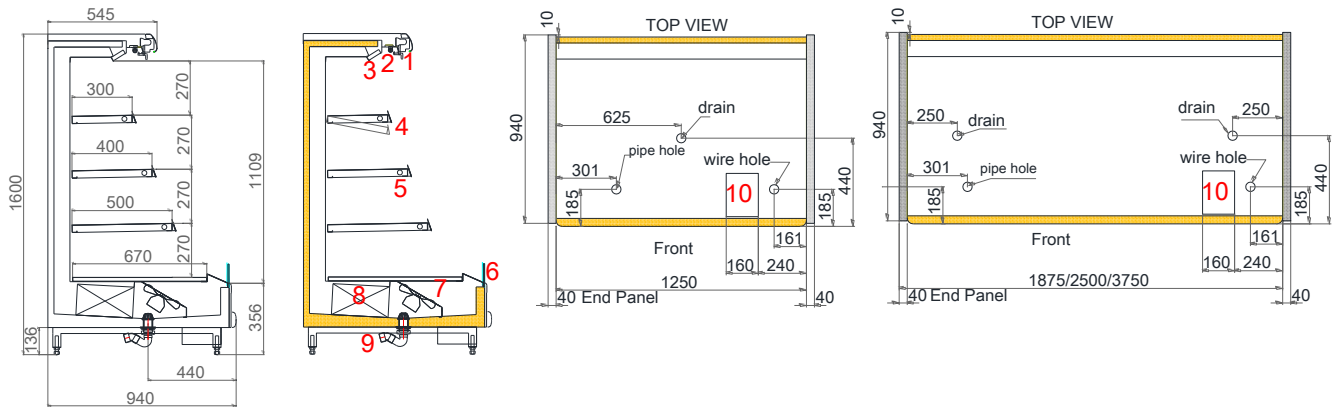
SPEC & CAPACITY	Length	Front edge	Case Height	Model Number	Facing Area, m ²	Capacity, dm ³
	12(1250mm)	3 (356mm)	1300mm	BZ-E7OL-F12133Y-01	1.25	368
	18(1875mm)	3 (356mm)	1300mm	BZ-E7OL-F18133Y-01	1.88	552
	25(2500mm)	3 (356mm)	1300mm	BZ-E7OL-F25133Y-01	2.50	736
	37(3750mm)	3 (356mm)	1300mm	BZ-E7OL-F37133Y-01	3.75	1,104

ELECTRICAL DATA	Case Length	Lighting Data @ 220V				Fan Data @ 220V				Defrost @380V			
		Lamps Qty.	Fluorescent T8 Lighting		LED Lighting		Fans Qty.	Standard Fans		High Efficiency Fans		Electrical Heater	
			Amps	Watts	Amps	Watts		Amps	Watts	Amps	Watts	Amps	Watts
	12(1250mm)	3	0.49	108	0.25	54	2	0.28	62	0.06	14	0	0
18(1875mm)	6	0.55	120	0.34	75	3	0.42	93	0.10	21	0	0	
25(2500mm)	6	0.98	216	0.49	108	4	0.56	124	0.13	28	0	0	
37(3750mm)	9	1.47	324	0.74	162	6	0.85	186	0.19	42	0	0	

REFRIGERATION DATA	Case Length	Case Height	Application at T=25 °C , RH=60%)	Refrigerant Gas	Required Cooling Capacity, W	Saturated suction Temp. °C	Input Power, Watts	Rated Current, Amps	Power Consumption, Kwh/24h
	12(1250mm)	1300mm	3M1(-1~5°C)	R404a	2,300	-10	170	1.3	2.78
	18(1875mm)	1300mm	3M1(-1~5°C)	R404a	3,130	-10	213	2.4	3.67
	25(2500mm)	1300mm	3M1(-1~5°C)	R404a	4,000	-10	340	2.6	5.57
	37(3750mm)	1300mm	3M1(-1~5°C)	R404a	6,020	-10	510	3.9	8.35

E7 Orlando height 1300mm





- 1. Night Curtain
- 2. Canopy Light
- 3. Air Curtain
- 4. Angle adjustable
- 5. Shelf Light
- 6. Fan
- 7. Front Edge Glass
- 8. Coil
- 9. Drain
- 10. Electrical Box

SPEC & CAPACITY	Length	Front edge	Case Height	Model Number	Facing Area, m ²	Capacity, dm ³
	12(1250mm)	3 (356mm)	1600mm	BZ-E7OL-F12163Y-01	1.25	368
	18(1875mm)	3 (356mm)	1600mm	BZ-E7OL-F18163Y-01	2.44	840
	25(2500mm)	3 (356mm)	1600mm	BZ-E7OL-F25163Y-01	3.25	1,120
	37(3750mm)	3 (356mm)	1600mm	BZ-E7OL-F37163Y-01	4.88	1,680

ELECTRICAL DATA	Case Length	Lighting Data @ 220V						Fan Data @ 220V				Defrost @220V	
		Lamps Qty.	Fluorescent T8 Lighting		LED Lighting		Fans Qty.	Standard Fans		High Efficiency Fans		Electrical Heater	
			Amps	Watts	Amps	Watts		Amps	Watts	Amps	Watts	Amps	Watts
	12(1250mm)	4	0.65	144	0.33	72	2	0.28	62	0.06	14	0	0
18(1875mm)	8	0.71	156	0.45	99	3	0.42	93	0.10	21	0	0	
25(2500mm)	8	1.31	288	0.65	144	4	0.56	124	0.13	28	0	0	
37(3750mm)	12	1.96	432	0.98	216	6	0.85	186	0.19	42	0	0	

REFRIGERATION DATA	Case Length	Case Height	Application at T=25 °C, RH=60%)	Refrigerant Gas	Required cooling Capacity, W	Saturated suction Temp. °C	Input Electrical Power, Watts	Rated Current, Amps	Power Consumption, Kwh/24h
	12(1250mm)	1600mm	3M1(-1~5°C)	R404a	2,180	-10	206	1.6	3.22
	18(1875mm)	1600mm	3M1(-1~5°C)	R404a	2,930	-10	249	3.0	4.10
	25(2500mm)	1600mm	3M1(-1~5°C)	R404a	3,750	-10	412	3.2	6.43
	37(3750mm)	1600mm	3M1(-1~5°C)	R404a	5,720	-10	618	4.8	9.65

E7 Orlando height 1600mm

