

Environmentally friendly

Ergonomic

Efficient

Elegant

Elaborative

Expansibility

Easy Maintenance



LittleDuck

E7 SERIES REFRIGERATION SHOWCASE

Double Air Curtain Wide Multi-Deck Case

E7 Maryland

Height 2030mm, 2180mm

Case width 1120/1085mm

Shelf Depth 500mm

Length 1875mm, 2200mm, 2500mm, 3750mm

Optional: LED lighting, Energy-saving Fan



LittleDuck



- * CE
- * ISO9001
- * ISO14001

Standard Options:

- Length Option: 1875mm, 2200mm, 2500mm & 3750mm, can be jointed together according to user's needs.
- Height Option: 2030mm, 2180mm
- Optional Height of Front Edge: Low front 350mm, Low front 350mm with vertical glass 120mm, Medium front 450mm
- End panel option: all view Glass end panel, PU end panel, PU end panel with inner mirror.
- Shelf option: 4 rows 500mm and 1 bottom for height 2030mm, 5 rows 500mm and 1 bottom for height 2180mm.
- Available light options include: canopy, shelf at T8 fluorescent.
- Available PVC or fibrous night curtain
- Available plastic combo shelf-stop and price-tag
- Defrost: electrical heating
- Controller: CAREL brand, Easy series
- Expansion Valve: DANFOSS, balance mechanical thermal expansion valve.
- Fan motor: EBM, conventional energy efficiency
- Refrigerant: R404a

Energy Saving Option:

- LED light, for canopy and shelf
- High Efficiency Fans with CAREL multi-function controller

Intelligent Control Option:

- CAREL MPX Controller with thermal expansion valve (TEV).
- CAREL MPX Controller with electronic expansion valve (EEV).

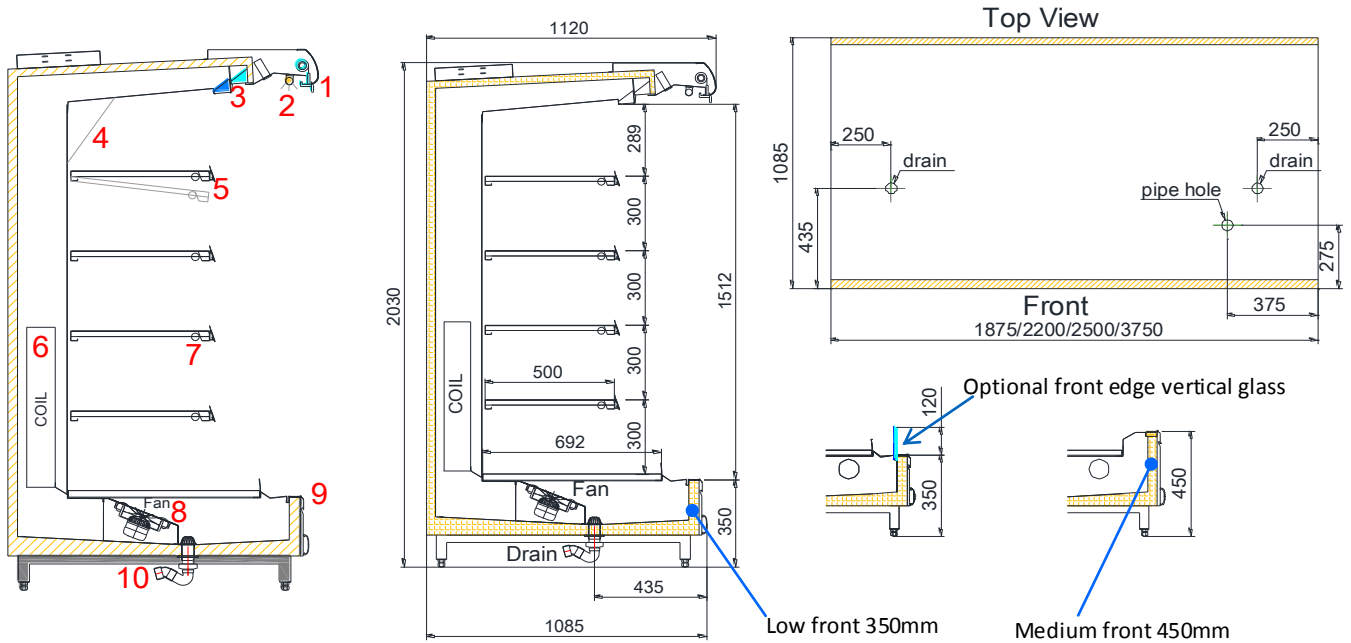
Application:

The different running temperature ranges can be set according to the different demands at -1°C to 10°C :

1. M1(-1~5°C) for fresh meat, sea food;
2. M2(-1~7°C) for daily products, such as beverage, milk products, sausages and cooked foods;
3. M3(1~10°C) for fruits and vegetables, etc.

Features and Benefits:

1. The double air curtain with the hermetic circulation have been adopted to make the air speed and temperature gradient for energy saving, upto 30%.
2. Low front edge design up to 350mm, improving display effect.
3. Angle adjustable shelf achieved satisfy the different display effect.
4. The balance heating expansion valve can increase the utilization rate of evaporator.
5. Adopting the panoramic glass end panel that is made by Low-e glass, thus the display effect is increased.
6. The plastic or fibrous night curtain can be option according to the customer's preference.
7. Adopted easy disassemble design for the bottom shelves, back plates, cover plate of fan.
8. Wire location will be convenient operation.
9. Designed filter for drainage inlet to prevent blockages of drain system.
10. Reserved a fuse in electrical control box, easy to replace.
11. Canopy light and shelf light can be controlled separately for power saving operation.
12. CO₂, glycol and hot gas defrosting can be option for application of energy conservation and environmental protection.



1. Night Curtain
2. Light
3. Double Air Curtain
4. Optional Mirror
5. Angle Option
6. Coil
7. Shelf Light
8. Fan Motor
9. Front Edge
10. Drain

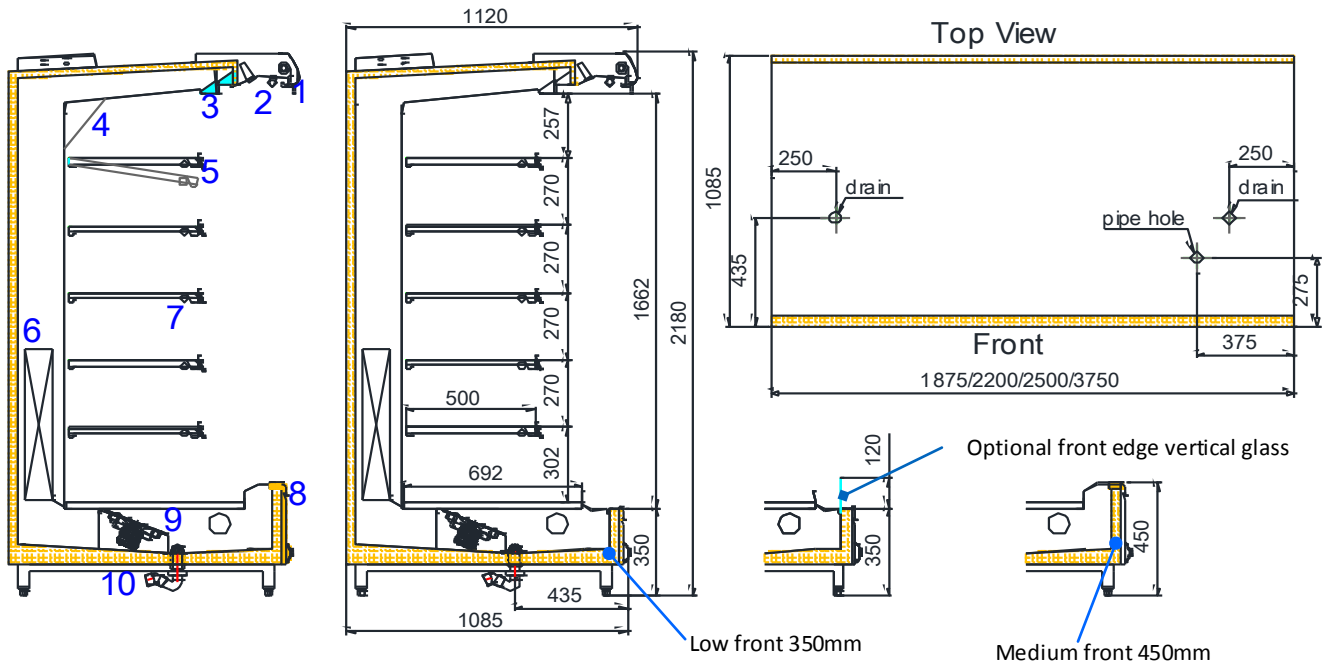
SPEC & CAPACITY	Length	Front Edge	Model Number	Facing Area, m ²	Capacity, dm ³
	18(1875mm)	3 (350mm)	BZ-E7ML-F18203Y-01	3.30	1,696
	22(2200mm)	3 (350mm)	BZ-E7ML-F22203Y-01	3.87	1,991
	25(2500mm)	3 (350mm)	BZ-E7ML-F25203Y-01	4.40	2,262
	37(3750mm)	3 (350mm)	BZ-E7ML-F37203Y-01	6.60	3,393
	18(1875mm)	4 (450mm)	BZ-E7ML-F18204Y-01	3.14	1,705
	22(2200mm)	4 (450mm)	BZ-E7ML-F22204Y-01	3.68	2,001
	25(2500mm)	4 (450mm)	BZ-E7ML-F25204Y-01	4.18	2,274
	37(3750mm)	4 (450mm)	BZ-E7ML-F37204Y-01	6.27	3,411

ELECTRICAL DATA	Case Length	Lighting Data @ 220V				Fan Data @ 220V				Defrost @220V			
		Lamps Qty.	Fluorescent T8 Lighting		LED Lighting		Fans Qty.	Standard Fans		High Efficiency Fans		Electrical Heater	
			Amps	Watts	Amps	Watts		Amps	Watts	Amps	Watts	Amps	Watts
18(1875mm)	10	0.87	192	0.56	123	3	0.41	91	0.10	21	3.41	750	
22(2200mm)	10	1.36	300	0.68	150	5	0.69	151	0.16	35	3.82	840	
25(2500mm)	10	1.64	360	0.82	180	5	0.69	151	0.16	35	4.55	1,000	
37(3750mm)	15	2.45	540	1.23	270	7	0.96	211	0.22	49	6.82	1,500	

REFRIGERATION DATA	Case Length	Front Edge	Application at T=25 °C, RH=60%	Refrigerant Gas	Required Cooling Capacity, W	Saturated suction Temp. °C	Input Power, Watts	Rated Current, Amps	Power Consumption, Kwh/24h
	18(1875mm)	3 (350mm)	3M1(-1~5 °C)	R404a	2,860	-10	1,033	7.01	5.99
	22(2200mm)	3 (350mm)	3M1(-1~5 °C)	R404a	3,260	-10	1,291	7.42	8.90
	25(2500mm)	3 (350mm)	3M1(-1~5 °C)	R404a	3,630	-10	1,511	8.15	9.94
	37(3750mm)	3 (350mm)	3M1(-1~5 °C)	R404a	5,450	-10	2,251	10.42	14.54
	18(1875mm)	4 (450mm)	3M1(-1~5 °C)	R404a	2,600	-10	1,033	7.01	5.99
	22(2200mm)	4 (450mm)	3M1(-1~5 °C)	R404a	2,970	-10	1,291	7.42	8.90
	25(2500mm)	4 (450mm)	3M1(-1~5 °C)	R404a	3,300	-10	1,511	8.15	9.94
37(3750mm)	4 (450mm)	3M1(-1~5 °C)	R404a	4,950	-10	2,251	10.42	14.54	



E7 Maryland height 2030mm



1. Night Curtain
2. Light
3. Double Air Curtain
4. Optional Mirror
5. Angle Option
6. Coil
7. Shelf Light
8. Front Edge
9. Fan Motor
10. Drain

SPEC & CAPACITY	Length	Front Edge	Model Number	Facing Area, m ²	Capacity, dm ³
	18(1875mm)	3 (350mm)	BZ-E7ML-F18223Y-01	3.71	1,869
	22(2200mm)	3 (350mm)	BZ-E7ML-F22223Y-01	4.36	2,192
	25(2500mm)	3 (350mm)	BZ-E7ML-F25223Y-01	4.95	2,492
	37(3750mm)	3 (350mm)	BZ-E7ML-F37223Y-01	7.43	3,738
	18(1875mm)	4 (450mm)	BZ-E7ML-F18224Y-01	3.42	1,877
	22(2200mm)	4 (450mm)	BZ-E7ML-F22224Y-01	4.01	2,203
	25(2500mm)	4 (450mm)	BZ-E7ML-F25224Y-01	4.56	2,503
	37(3750mm)	4 (450mm)	BZ-E7ML-F37224Y-01	6.83	3,755

ELECTRICAL DATA	Case Length	Lighting Data @ 220V				Fan Data @ 220V				Defrost @220V			
		Lamps Qty.	Fluorescent T8 Lighting		LED Lighting		Fans Qty.	Standard Fans		High Efficiency Fans		Electrical Heater	
			Amps	Watts	Amps	Watts		Amps	Watts	Amps	Watts	Amps	Watts
18(1875mm)	12	1.04	228	0.67	147	3	0.41	91	0.10	21	3.41	750	
22(2200mm)	12	1.64	360	0.82	180	5	0.69	151	0.16	35	3.82	840	
25(2500mm)	12	1.96	432	0.98	216	5	0.69	151	0.16	35	4.55	1,000	
37(3750mm)	18	2.95	648	1.47	324	7	0.96	211	0.22	49	6.82	1,500	

REFRIGERATION DATA	Case Length	Front Edge	Application at T=25 °C, RH=60%)	Refrigerant Gas	Required cooling Capacity, W	Saturated suction Temp. °C	Input Power, Watts	Rated Current, Amps	Power Consumption, Kwh/24h
	18(1875mm)	3 (350mm)	3M1(-1~5°C)	R404a	3,290	-10	1,069	7.01	6.42
	22(2200mm)	3 (350mm)	3M1(-1~5°C)	R404a	3,750	-10	1,351	7.42	9.62
	25(2500mm)	3 (350mm)	3M1(-1~5°C)	R404a	4,180	-10	1,583	8.15	10.81
	37(3750mm)	3 (350mm)	3M1(-1~5°C)	R404a	6,260	-10	2,359	10.42	15.84
	18(1875mm)	4 (450mm)	3M1(-1~5°C)	R404a	3,000	-10	1,069	7.01	6.42
	22(2200mm)	4 (450mm)	3M1(-1~5°C)	R404a	3,410	-10	1,351	7.42	9.62
	25(2500mm)	4 (450mm)	3M1(-1~5°C)	R404a	3,300	-10	1,583	8.15	10.81
37(3750mm)	4 (450mm)	3M1(-1~5°C)	R404a	5,980	-10	2,359	10.42	15.84	

